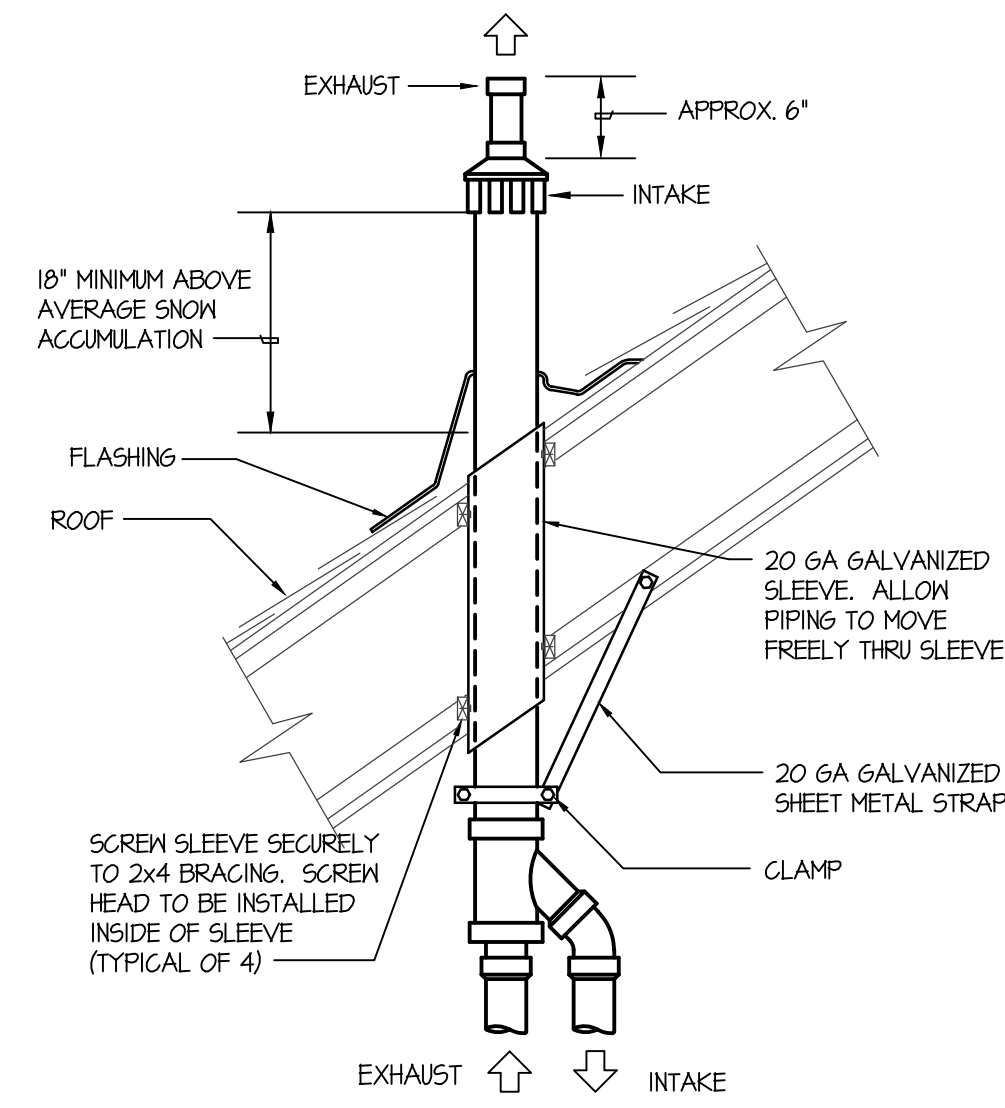
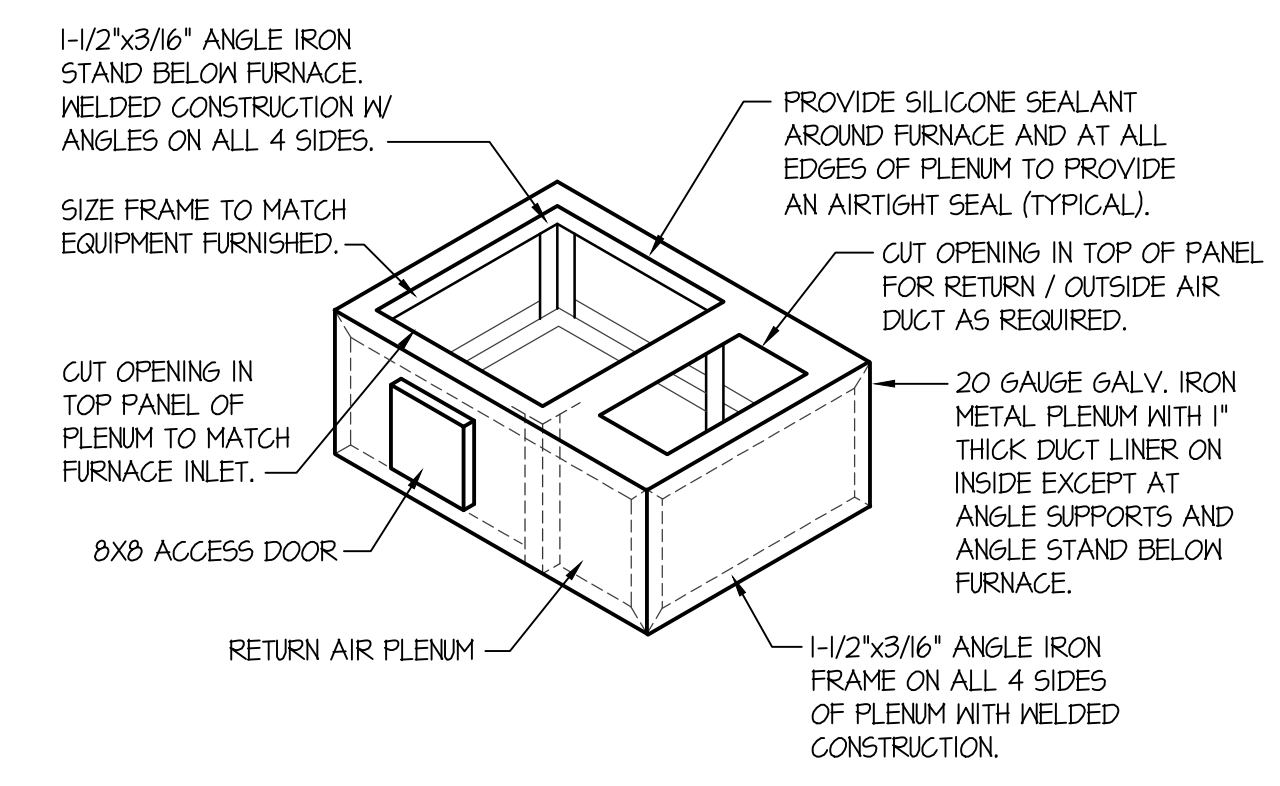


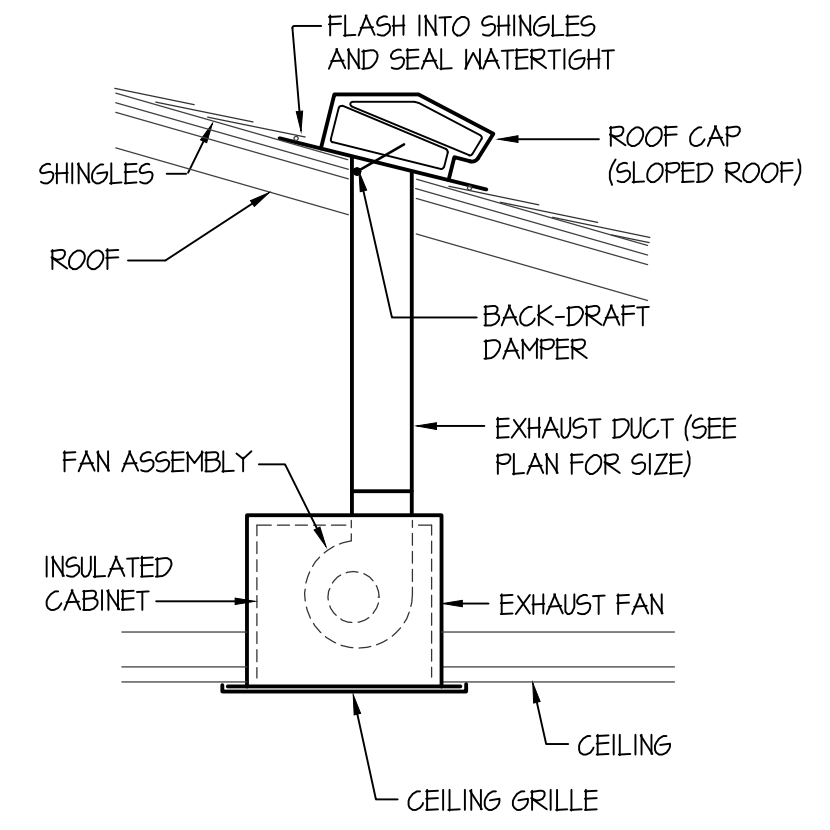
REGISTER INSTALLATION DETAIL
NO SCALE



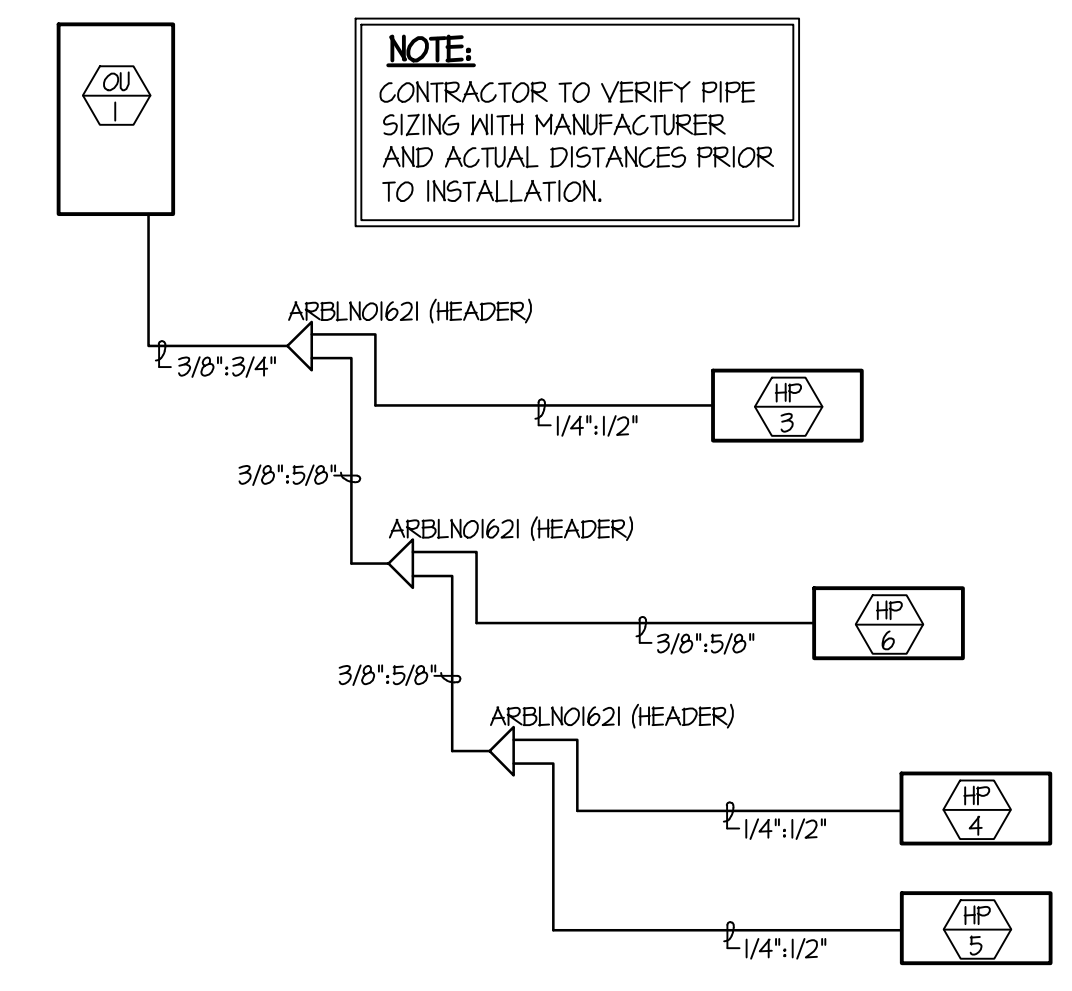
CONCENTRIC VENT TERMINATION DETAIL
NO SCALE



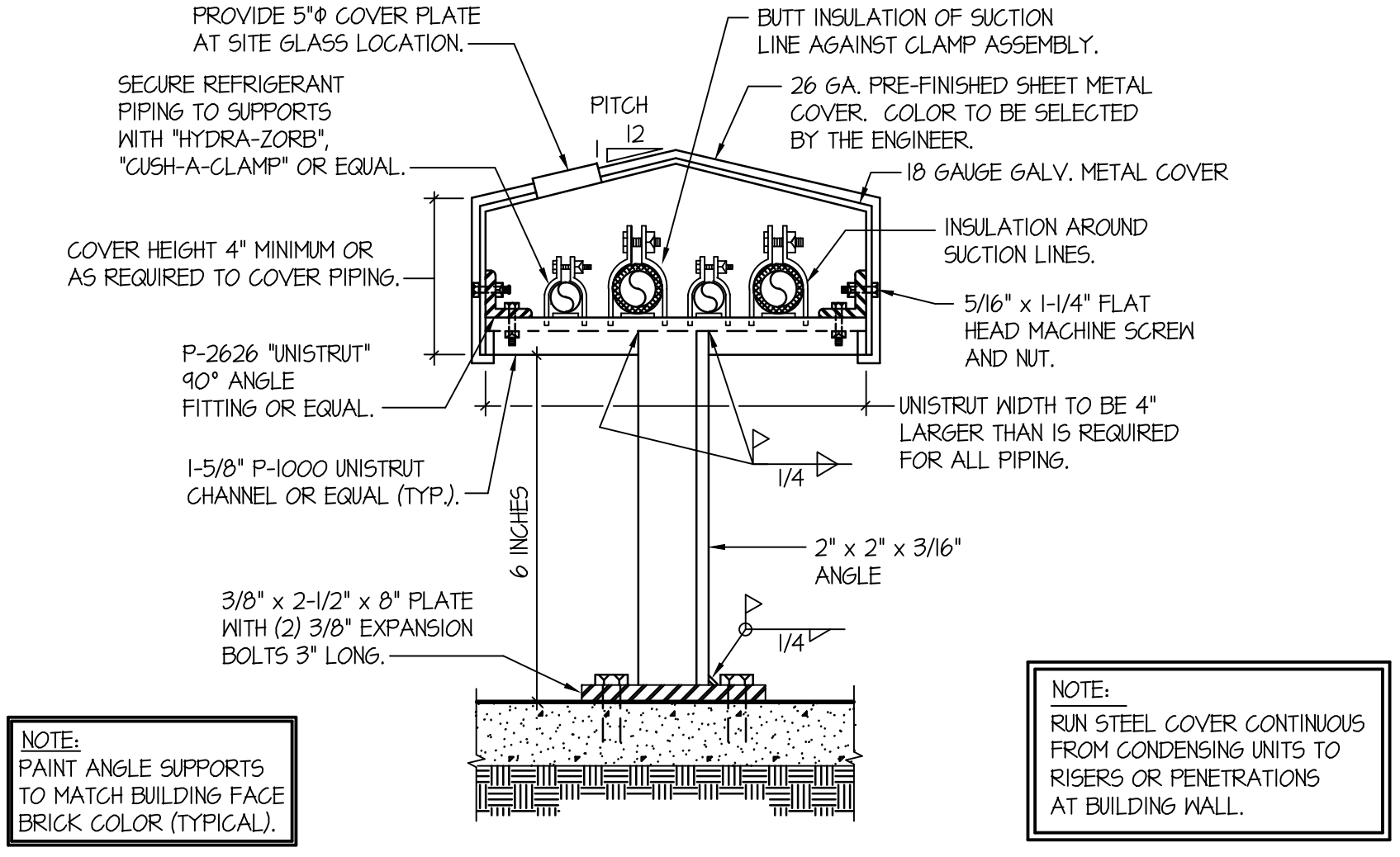
RETURN AIR PLENUM DETAIL
NO SCALE



CEILING MOUNTED EXHAUST FAN DETAIL
NO SCALE



REFRIGERANT PIPING DETAIL
NO SCALE



REFRIGERANT PIPE SUPPORT DETAIL
NO SCALE

FURNACE AND DX COOLING COIL SCHEDULE																							
SYM.	TYPE	G.F.M.	SP _E	SPEED	H.P.	CHAR.	A.G.A.		E.A.T.	L.A.T.	GAS TYPE	DX COOLING COIL			PIPING SIZES				REMARKS				
							INPUT	OUTPUT				Ø ELEV.	E.A.T.	L.A.T.	MAX. P.D.	LIQUID	SUCTION	G.D.		NAT GAS	INTAKE	EXHAUST	
F1	UPFLOW	1945	60°	M-HIGH	1	120/60/1	110,000	106,000	74,000	65°F	105°F	NAT	60,000	75°F	55°F	25"	SEE C. UNIT SCHED.	SEE C. UNIT SCHED.	3/4"	3/4"	2" PVC	2" PVC	LENNOX ELK45UHI0P60C WITH FULLY CASED R-410A DX COOLING COIL TO MATCH FURNACE & VERTICAL VENT TERMINAL ASSEMBLY.
F2	UPFLOW	1600	60°	M-HIGH	3/4	120/60/1	110,000	103,000	74,000	65°F	105°F	NAT	48,000	75°F	55°F	25"	SEE C. UNIT SCHED.	SEE C. UNIT SCHED.	3/4"	3/4"	2" PVC	2" PVC	LENNOX ELK45UHI0P48C WITH FULLY CASED R-410A DX COIL TO MATCH FURNACE AND VERTICAL VENT TERMINAL ASSEMBLY.

EXHAUST FAN SCHEDULE									
SYM.	TYPE	G.F.M.	S.P.E.	WATTS	CHAR.	R.P.M.	CONTROL	REMARKS	
EF1	CEILING MOUNTED	100	.40	100	120/60/1	750	TIMER SEE ELECT.	BROAN LOSONE SELECT MODEL L100 WITH BACKDRAFT DAMPER. 6" DUCT TO SLOPED ROOF CAP	
EF2	CEILING MOUNTED	100	.40	100	120/60/1	750	OCC. SENSOR SEE ELECT.	BROAN LOSONE SELECT MODEL L100 WITH BACKDRAFT DAMPER. 6" DUCT TO SLOPED ROOF CAP	

CONDENSING UNIT SCHEDULE											
SYM.	BTU	EAT	CHAR.	MCA	MFS	SEER	REFR.	PIPE SIZING		REMARKS	
								LIQUID	SUCTION		
CU1	60,000	84°F	230/60/1	34.6	50.0	13.0	R-410A	1/2"	1/8"	LENNOX MODEL 13ACX-060 WITH OFF LOW AMBIENT HARD START KIT.	
CU2	48,000	84°F	230/60/1	28.9	50.0	13.0	R-410A	1/2"	1/8"	LENNOX MODEL 13ACX-048 WITH OFF LOW AMBIENT HARD START KIT.	

ELECTRIC HEATER SCHEDULE						
SYM.	TYPE	BTU	KW	CHAR.	CONTROL	REMARKS
EH1	WALL MOUNTED	5119	1.5	230/60/1	INTEGRAL T-STAT	QMARK TYPE AVH-420T RECESSED MOUNT HEATER
EH2	WALL MOUNTED	5119	1.5	230/60/1	INTEGRAL T-STAT	QMARK TYPE AVH-420T RECESSED MOUNT HEATER
EH3	WALL MOUNTED	6,842	2.0	230/60/1	INTEGRAL T-STAT	QMARK TYPE AVH-420B RECESSED MOUNT HEATER
EH4	WALL MOUNTED	6,842	2.0	230/60/1	INTEGRAL T-STAT	QMARK TYPE AVH-420B RECESSED MOUNT HEATER
EH5	WALL MOUNTED	6,842	2.0	230/60/1	INTEGRAL T-STAT	QMARK TYPE AVH-420B RECESSED MOUNT HEATER
EH6	WALL MOUNTED	6,842	2.0	230/60/1	INTEGRAL T-STAT	QMARK TYPE AVH-420B RECESSED MOUNT HEATER

INDOOR HEAT PUMP UNIT SCHEDULE (ELECTRIC)												
SYM.	TYPE	BLOWER		COOLING		HEATING		CHAR.	MCA	PIPING CONNECTION SIZES		REMARKS
		CFM	SP _E	MBH	MBH	MBH	MBH			G.D.	LIQUID	
HP1	WALL MOUNTED	300	NA	9,000	11,000	230/60/1	1.0	3/4"	1/4"	1/2"	LG MODEL LAN090HYV1 WALL MOUNTED HEAT PUMP WITH WIRELESS REMOTE CONTROLLER.	
HP2	WALL MOUNTED	300	NA	9,000	11,000	230/60/1	1.0	3/4"	1/4"	1/2"	LG MODEL LAN090HYV1 WALL MOUNTED HEAT PUMP WITH WIRELESS REMOTE CONTROLLER.	
HP3	WALL MOUNTED	330	NA	12,300	13,600	230/60/1	1.0	3/4"	1/4"	1/2"	LG MODEL ARN1235JA4 WALL MOUNTED HEAT PUMP WITH WIRELESS REMOTE CONTROLLER.	
HP4	WALL MOUNTED	330	NA	12,300	13,600	230/60/1	1.0	3/4"	1/4"	1/2"	LG MODEL ARN1235JA4 WALL MOUNTED HEAT PUMP WITH WIRELESS REMOTE CONTROLLER.	
HP5	WALL MOUNTED	330	NA	12,300	13,600	230/60/1	1.0	3/4"	1/4"	1/2"	LG MODEL ARN1235JA4 WALL MOUNTED HEAT PUMP WITH WIRELESS REMOTE CONTROLLER.	
HP6	WALL MOUNTED	530	NA	24,200	25,600	230/60/1	1.0	3/4"	3/8"	5/8"	LG MODEL ARN2435KA4 WALL MOUNTED HEAT PUMP WITH WIRELESS REMOTE CONTROLLER.	

* ALL INDOOR HEAT PUMPS TO COME WITH INTEGRAL CONDENSATE PUMP

OUTDOOR HEAT PUMP UNIT SCHEDULE											
SYM.	TYPE	WEIGHT	COOLING		HEATING		MCA	CHAR.	PIPING CONNECTION SIZES		REMARKS
			MBH	MBH	MBH	MBH			LIQUID	SUCTION	
OU1	HEAT PUMP	290#	60,000	64,000	25.4	230/60/1	3/8"	3/4"	3/8"	3/4"	LG MODEL ARUN060G554 OUTDOOR UNIT WITH LOW AMBIENT WIND BAFFLE KIT
OU2	HEAT PUMP	82#	9,000	11,000	11.2	230/60/1	1/4"	3/8"	1/4"	3/8"	LG MODEL LAU090HYV1 OUTDOOR UNIT WITH LOW AMBIENT WIND BAFFLE KIT
OU3	HEAT PUMP	82#	9,000	11,000	11.2	230/60/1	1/4"	3/8"	1/4"	3/8"	LG MODEL LAU090HYV1 OUTDOOR UNIT WITH LOW AMBIENT WIND BAFFLE KIT

GRILLE AND REGISTER SCHEDULE									
SYM.	TYPE	SIZE	CFM RANGE	THROW PATTERN	CONSTR.	FINISH	BALANCING DAMPER	FIRE DAMPER	REMARKS
SR-1	SIDEWALL	12x6	175-300	NA	STEEL	WHITE	NA	NA	PRICE MODEL 520 D WITH FLANGE FRAME
SR-2	SIDEWALL	12x8	350-400	NA	STEEL	WHITE	NA	NA	PRICE MODEL 520 D WITH FLANGE FRAME
R-1	LOW SIDEWALL	20x36	1,000	NA	STEEL	WHITE	NA	NA	PRICE MODEL 96L WITH 2" WIDE FRAME
R-2	LOW SIDEWALL	22x46	1,600	NA	STEEL	WHITE	NA	NA	PRICE MODEL 96L WITH 2" WIDE FRAME
OL-1	OUTSIDE AIR LOUVER	24x16	360-450	NA	ALUM.	MATCH BLDG. EXTERIOR	NA	NA	AMERICAN WARMING LE-31 WITH INSECT SCREEN

REV.	DATE	DESCRIPTION

PROJECT: **New Addition For: NEW PLYMOUTH FIRST BAPTIST CHURCH**
 204 East Elm Street
 New Plymouth, ID 83655
 MOUNTAIN WEST ARCHITECTS | 543 25TH ST. - OGDEN, UT 84401 | PH: 801-388-6052 | www.mountainwestarchitects.com

SHEET TITLE: **MECHANICAL DETAILS & SCHEDULES**
 SHEET NUMBER: **M200**
 DO NOT SCALE DRAWING

Professional Engineer Registered
 5762
 STATE OF IDAHO
 DWYANE C. SUDWICKS

Engineered Systems Associates
 1355 EAST CENTER
 POCATELLO, IDAHO 83201
 PHONE: (208) 233-0501
 FAX: (208) 233-0529
 EMAIL: esa@engsystems.com
 ESA JOB NUMBER: 18060